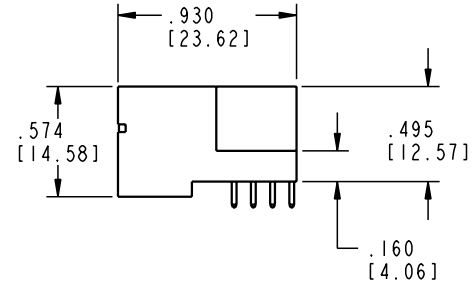
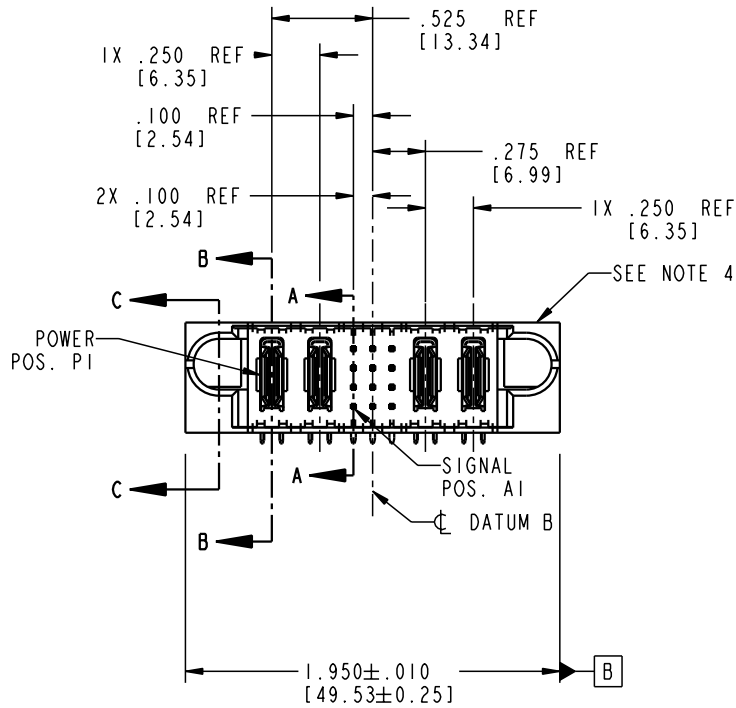


Tous droits strictement réservés. Reproduction ou communication o des tiers interdite sous quelque forme que ce soit sans autorisation écrite du propriétaire. Propriété de c FCI. Droits de reproduction FCI.

All rights strictly reserved. Reproduction or issue to third parties in any form whenever is not permitted without written authority from the proprietor. Property of FCI. Copyright FCI.

PRODUCT NO.	ROWS	POWER		SIG.			POWER		E2	
		E1	P1	P2	1	2	3	P3		P4
51720-10201202AB	D C B A		PA	PA	UUU SSS RRR			PA	PA	



CODE	DIM "M" MATING LENGTH	CONTACT TYPE
R	.270 [6.86]	SIGNAL
S	.270 [6.86]	SIGNAL
T	.270 [6.86]	SIGNAL
U	.270 [6.86]	SIGNAL
PA	N/A [N/A]	POWER

mat'l code				SEE NOTE 2		tolerances unless otherwise specified		CUSTOMER		 www.fciconnect.com	
ltr	ecn no.	dr	date	linear	.XX±.01/0.XX±0.3		COPY		title		
A	V21835	TAB	12/04/02		.XXX±.005/0.XX±0.13		projection		2 + 12 + 2		
					.XXX±.0020/0.XXX±0.051				RIGHT ANGLE SOLDER HEADER		
				angles	0° ± 7°		INCH/MM		product family		code
				dr	T. BRUNGARD	12/04/02	scale		PwrBlade		213
				engr	M. MOSTOLLER	12/04/02	1:1		size		sheet
				chr	M. MOSTOLLER	12/04/02			A		51720-10201202AB
				appd	M. MOSTOLLER	12/04/02					1 of 4
sheet index	revision sheet	A	A	A	A						
		1	2	3	4						

Pro/E

cage code 22526

PDM: Rev:A

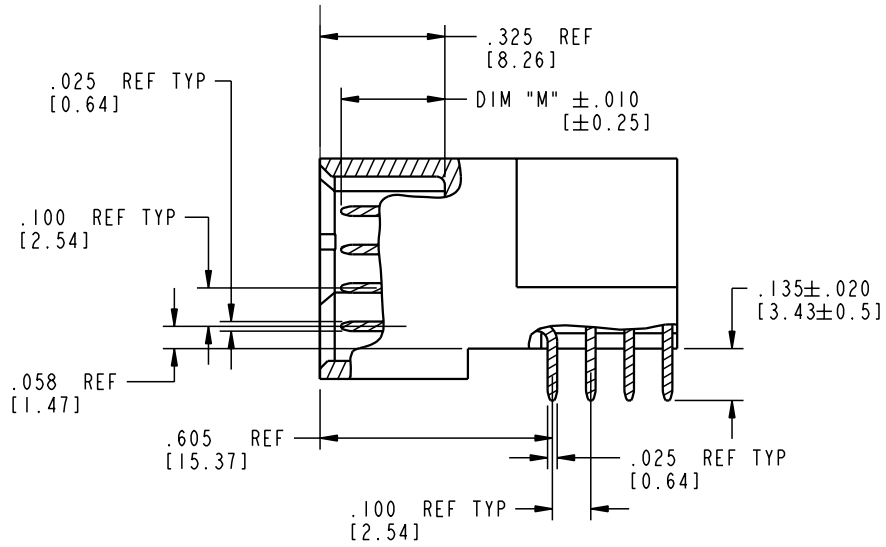
STATUS: Released

Printed: Aug 12, 2007

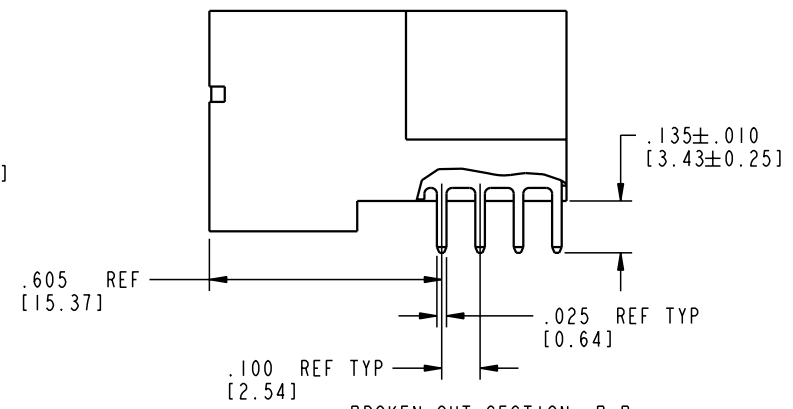
Tous droits strictement réservés. Reproduction ou communication à des tiers interdite sous quelque forme que ce soit sans autorisation écrite du propriétaire. Propriété de c FCI. Droits de reproduction FCI.

All rights strictly reserved. Reproduction or issue to third parties in any form whatever is not permitted without written authority from the proprietor. Property of FCI. Copyright FCI.

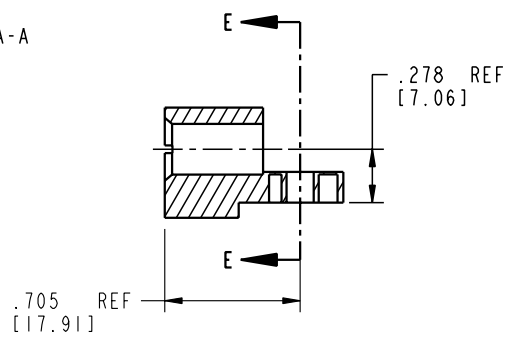
PRODUCT NUMBER  
51720-10201202AB



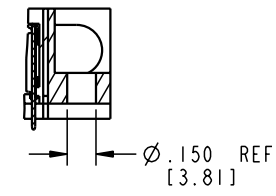
BROKEN-OUT SECTION A-A  
SCALE 2:1



BROKEN-OUT SECTION B-B  
SCALE 2:1



SECTION C-C



PARTIAL SECTION E-E

mat'l code				SEE NOTE 2		tolerances unless otherwise specified		CUSTOMER		 www.fciconnect.com	
ltr	ecn no.	dr	date	linear	.XX±.01/0.X±0.3	projection	COPY		title		2 + 12 + 2
A				angles	.XXX±.005/0.XXX±0.13		INCH/MM		RIGHT ANGLE SOLDER HEADER		product family
				dr	T.BRUNGARD 12/04/02	scale	1:1		PwrBlade		code
				engr	M. MOSTOLLER 12/04/02				size		213
				chr	M. MOSTOLLER 12/04/02				A 51720-10201202AB		sheet
				appd	M. MOSTOLLER 12/04/02						2 of 4
sheet index		revision sheet								cage code	
										22526	

Pro/E

cage code 22526

Tous droits strictement réservés. Reproduction ou communication o des tiers interdite sous quelque forme que ce soit sans autorisation écrite du propriétaire. Propriété de c FCI. Droits de reproduction FCI.

All rights strictly reserved. Reproduction or issue to third parties in any form, whatever is not permitted without written authority from the proprietor. Property of FCI. Copyright FCI.

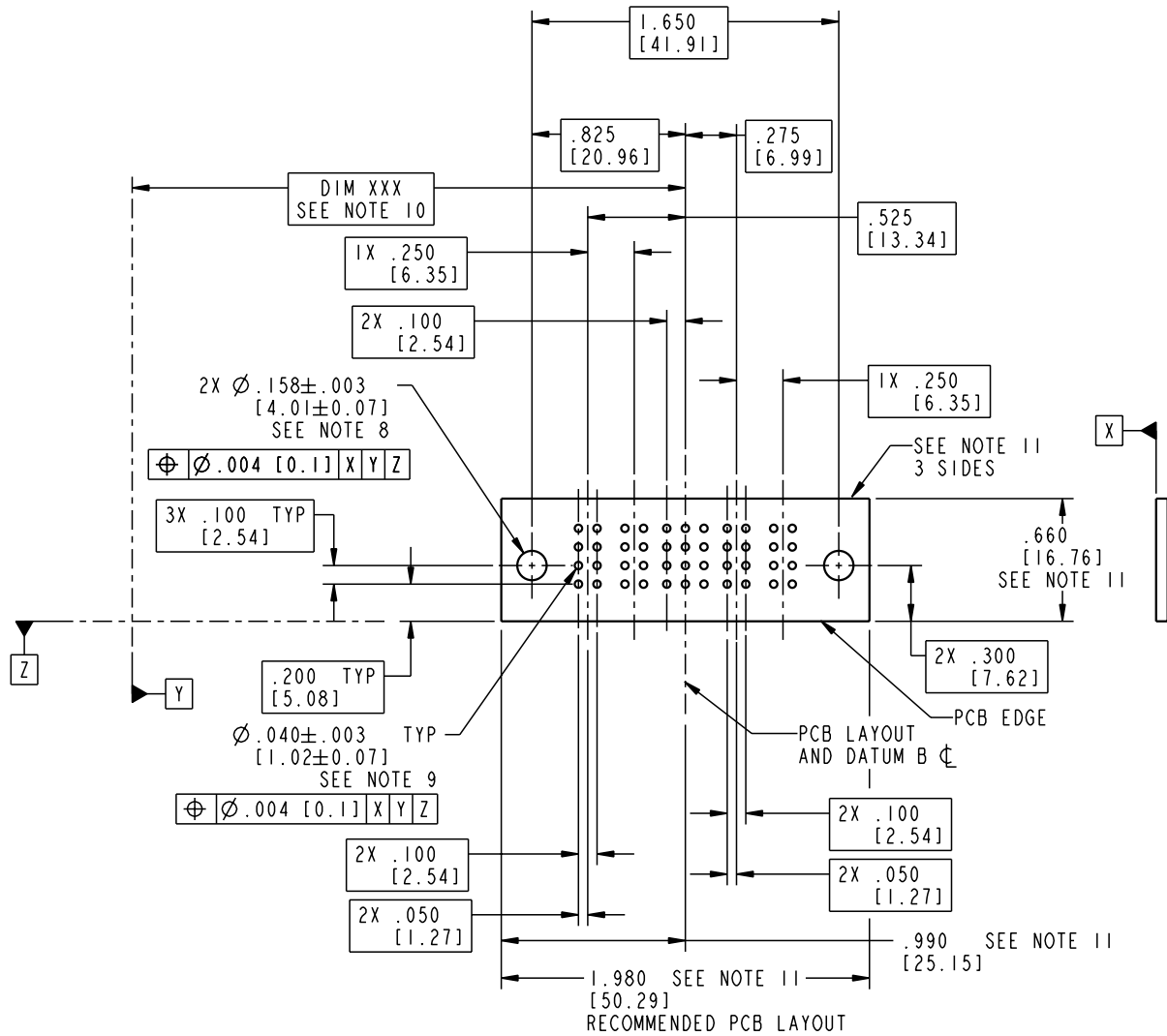


PRODUCT NUMBER  
51720-10201202AB

1 | 2

3 |

4



mat'l code				SEE NOTE 2		tolerances unless otherwise specified		CUSTOMER		 www.fciconnect.com	
ltr	ecn no.	dr	date	linear	.XX±.01/0.X±0.3	projection	COPY		title		2 + 12 + 2
A				angles	.XXX±.005/0.XXX±0.13				RIGHT ANGLE SOLDER HEADER		
				dr	.XXX±.0020/0.XXX±0.051				product family		PwrBlade
				engr	° ± °	INCH/MM		size		dwg no	213
				chr	0° ± °	scale		A		51720-10201202AB	sheet
				appd		1:1					3 of 4
sheet index	revision sheet										

1 | 2

Pro/E

3 |

cage code 22526

4

Tous droits strictement reserves. Reproduction ou communication a des tiers interdite sous quelque forme que ce soit sans autorisation écrite du propriétaire. Propriete de c FCI. Droits de reproduction FCI.

**A**  
**FCI**

All rights strictly reserved. Reproduction or issue to third parties in any form whatever is not permitted without written authority from the proprietor. Property of FCI. Copyright FCI.

**B**


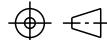
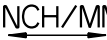
PRODUCT NUMBER  
**51720-10201202AB**

NOTES:

1. DIMENSIONS AND TOLERANCES ARE IN ACCORDANCE WITH ASME Y14.5M, 1994 UNLESS OTHERWISE SPECIFIED.

CONNECTOR NOTES:

- 2. HOUSING MATERIAL: UL 94 V-0 GLASS FILLED  
HIGH-TEMP THERMOPLASTIC  
POWER CONTACT MATERIAL: COPPER ALLOY  
SIGNAL PIN MATERIAL: COPPER ALLOY
- 3. PLATING:  
SIGNAL PINS: 30u"/0.76um Au OVER 50u"/1.27um Ni  
POWER CONTACTS: 50u"/1.27um Ni UNDER ALL  
WITH 30u"/0.76um Au ON CONTACT AREA  
AND SnPb ON PCB INTERFACE
- 4. MANUFACTURER'S NAME, P/N, AND DATE CODE TO APPEAR ON THIS SURFACE.
- 5. PRODUCT SPECIFICATION GS-12-149.  
APPLICATION SPECIFICATION BUS-20-067.
- 6. PACKAGED IN TRAYS.  
PCB NOTES:  
7. ALL HOLE DIAMETERS ARE FINISHED HOLE SIZE.
- 8. MOUNTING HOLES, WHERE APPLICABLE, ARE UNPLATED.
- 9.  $\varnothing .0453 \pm .0010$  [1.151  $\pm$  0.025] DRILLED HOLES PLATED WITH .0003 [0.008] MIN SnPb OVER .001 [0.03] TO .003 [0.08] Cu PLATING TO ACHIEVE  $\varnothing .040 \pm .003$  [1.02  $\pm$  .07] HOLE.
- 10. "DIM XXX" TO BE DETERMINED BY THE CUSTOMER.
- 11. CONNECTOR KEEP-OUT ZONE.

mat'l code		SEE NOTE 2		tolerances unless otherwise specified		CUSTOMER		 <b>FCI</b> www.fciconnect.com	
ltr	ecm no.	dr	date	linear	.XX±.01/0.X±0.3	COPY			
A				projection	.XXX±.005/0.XX±0.13			title	2 + 12 + 2
				angles	.XXX±.0020/0.XXX±0.051			RIGHT ANGLE SOLDER HEADER	
				dr	T.BRUNGARD 12/04/02	INCH/MM		product family	PwrBlade
				enr	M. MOSTOLLER 12/04/02	scale		code	213
				chr	M. MOSTOLLER 12/04/02	1 : 1		size	dwg no
				appd	M. MOSTOLLER 12/04/02			A	51720-10201202AB
sheet index	revision sheet							sheet	4 of 4

**B**

1 | 2

3 |

4

1 | 2

Pro/E

3 |

cage code **22526**

4